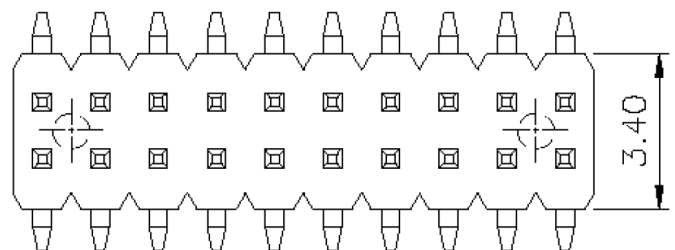
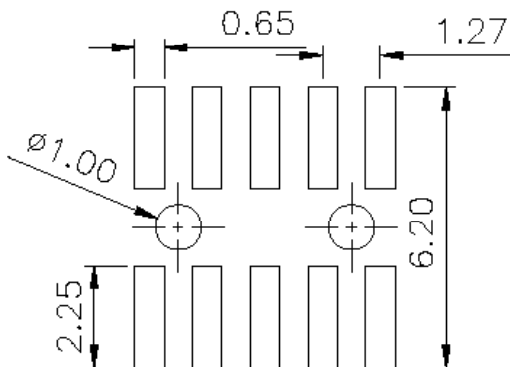


**CUSTOMER COPY**

| REV. | DESCRIPTION | APP. | DATE       |
|------|-------------|------|------------|
| A    | NEW DESIGN  | Amos | 2010-07-01 |



RECOMMENDED P.C.B LAYOUT



**ORDER INFORMATION**

171 88 01 XX X

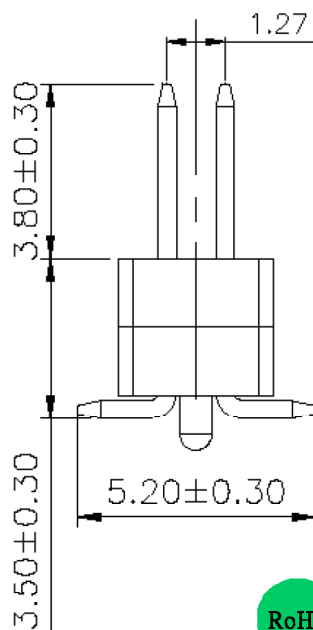
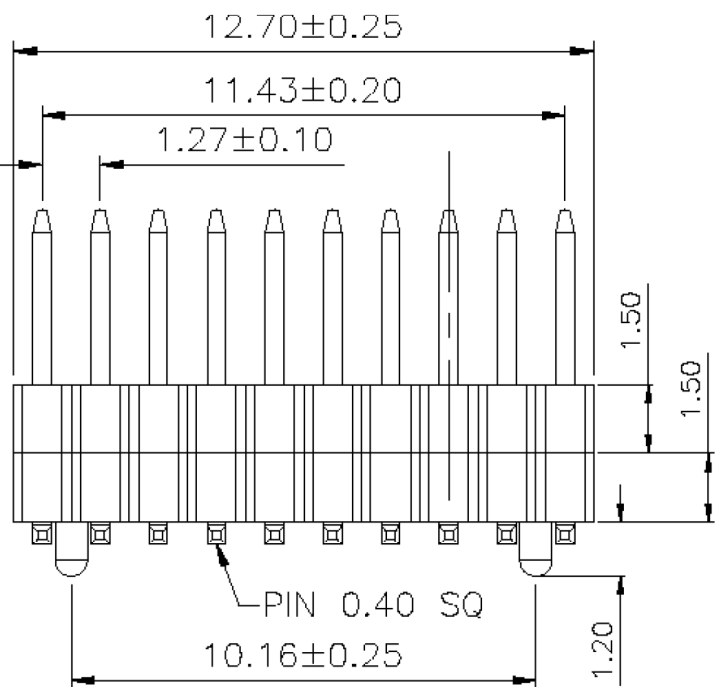
- 3: Plating Gold Flash
- No. of Contact
- 01: 1.5mm 3.8mm/3.5mm/5.2mm
- 88: 雙排雙型SMT有柱 Type

**Specifications**

Current Rating: 1Amp  
 Insulation Resistance: 1000MΩ Min.  
 Dielectric Withstanding: 300V AC  
 Contact Resistance: 20mΩ Max.  
 Operating Temperature: -40°C to +105°C

**Materials**

Contact Material: Brass  
 Insulation Material: Polyester, UL 94V-0  
 NYLON-6T  
 All materials must be GP materials



鈺滿榮企業股份有限公司 **ACMELUX CO., LTD.**

TEL: 886-2-85124595 FAX: 886-2-85124322

|                      |            |                                |                       |
|----------------------|------------|--------------------------------|-----------------------|
| 0.0±0.30             | Scale: 1:1 | Title:                         | PART NO:              |
| 0.00±0.20            | Unit: mm   | Pitch 1.27mm Dual Platics Dual | APP BY: <i>Hung</i>   |
| 0.000±0.1            |            | Rows SMD Type Pin Header Conn. | CHK BY: <i>Cheryl</i> |
|                      |            | Material: RoHS                 | DR BY: <i>Amos</i>    |
| DWG. NO. C1718801XXX |            |                                | C050                  |